

# A Series Floor Standing Server Rack (width 600mm)



## Standard

Comply with ANSI/EIA RS-310-D, DIN41497 part 1, IEC297-2, DIN41494 part 7, GBIT3047.2-92 standard.

## Feature

19 inch width standard;

Removable Side Panels, side locks optional;

Knock off hole for entering cable on both top cover, bottom panel,real panel

Turning angle of front door is over 180 degrees

Easy mounting installation

Unassembled package saving shipping space

fan,shelf,PDU are optional

## Loading Capacity

800KG

## Degree of Protection

IP20

## Material

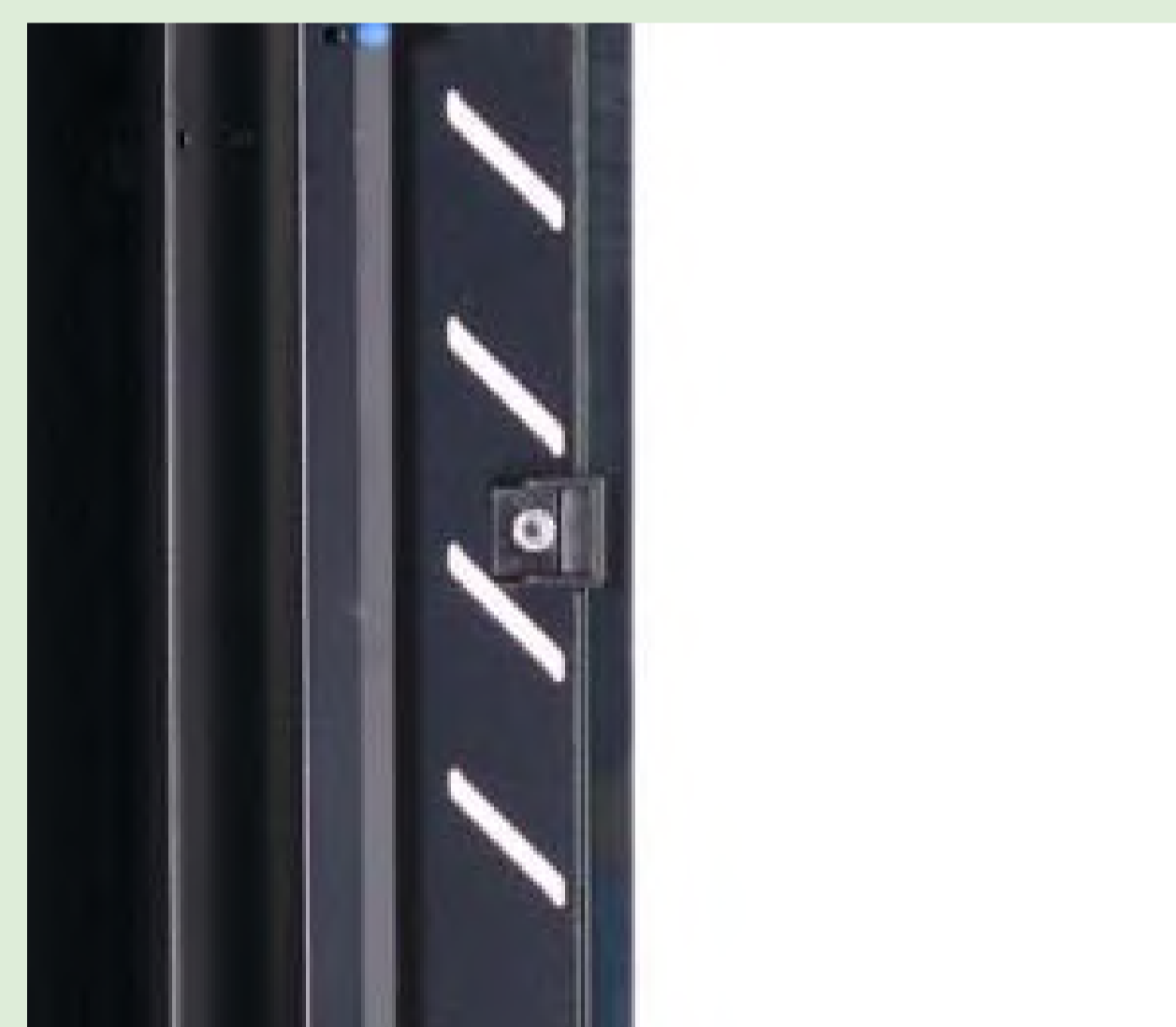
SPCC Cold Rolled Steel

Thickness:2.0mm-1.2mm-1.0mm

## Surface Finish:

Powder coating

## Cabinet details



Fixed glass by Screws not by glue



Glass front door



Zinc plated mounting profile



Removable side panels (Side lock optional)

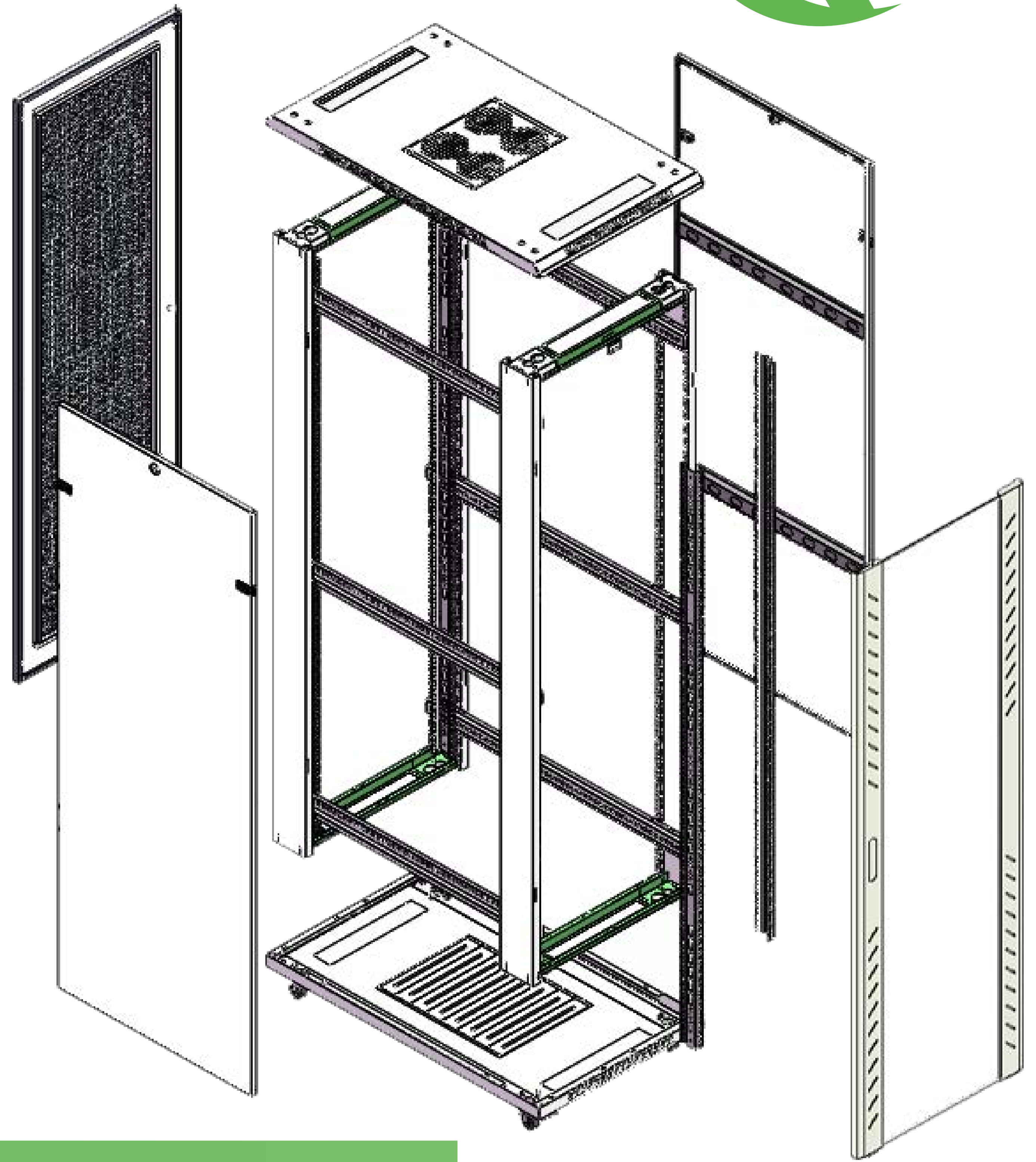
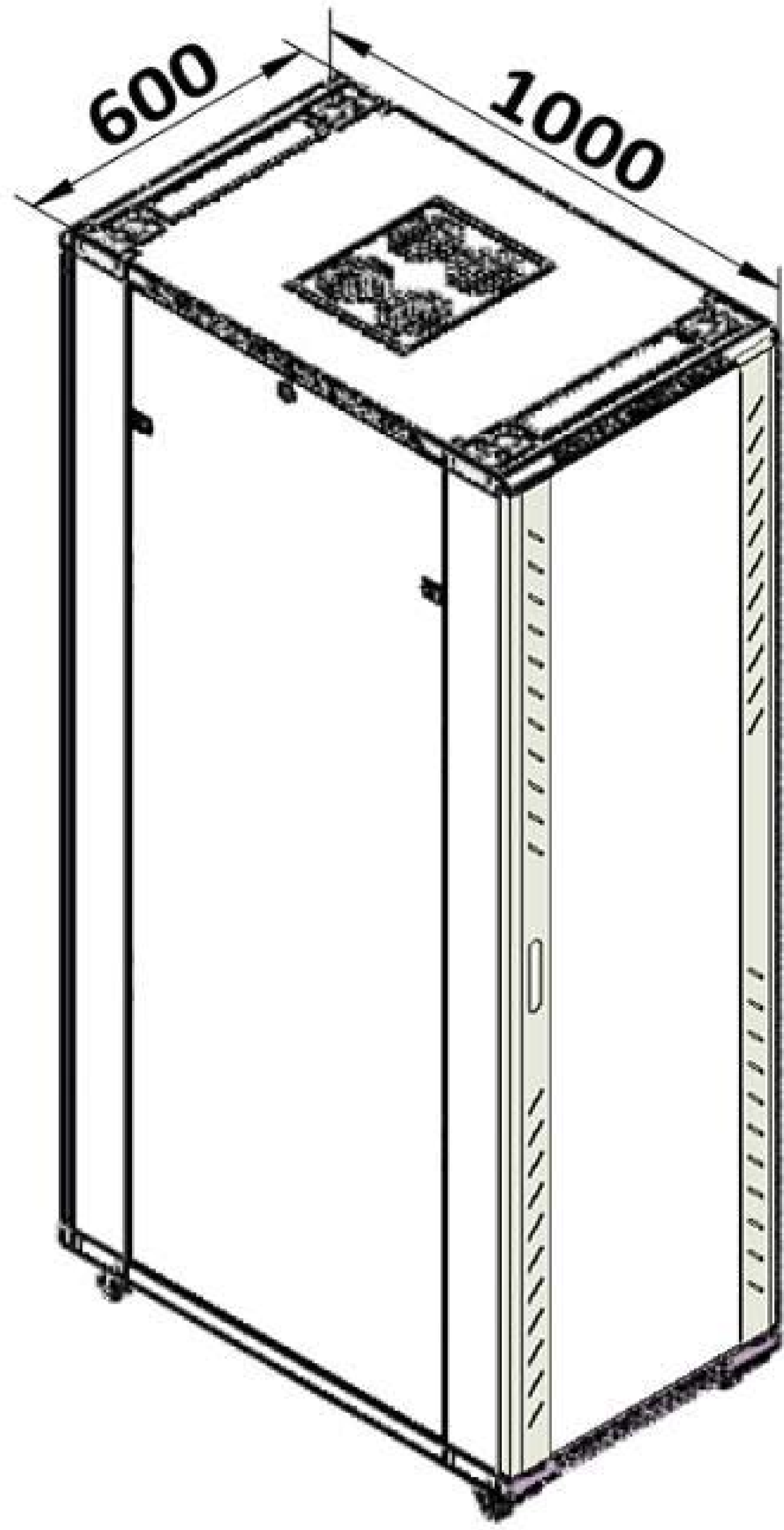


Cable entrance on rear panel

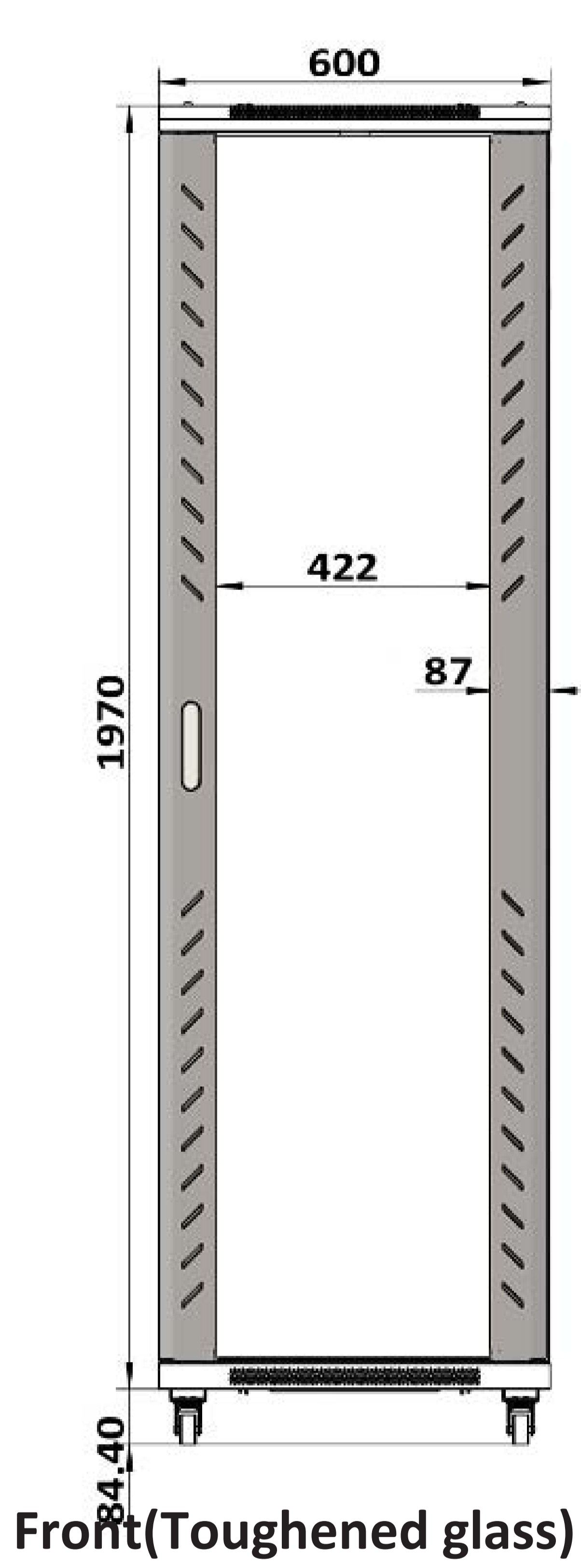


Ground wire optional

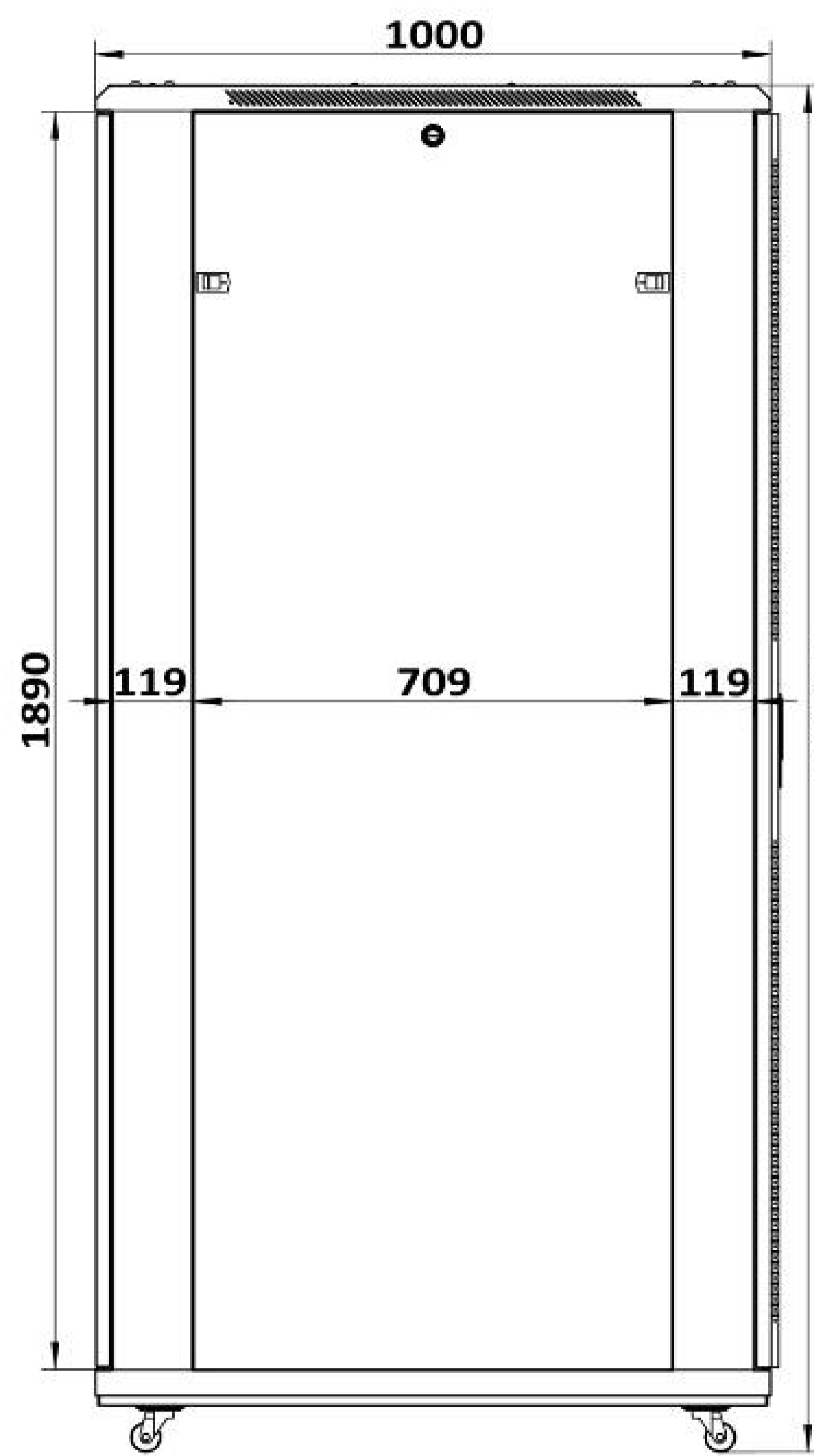
# A Series Floor Standing Server Rack (width 600mm)



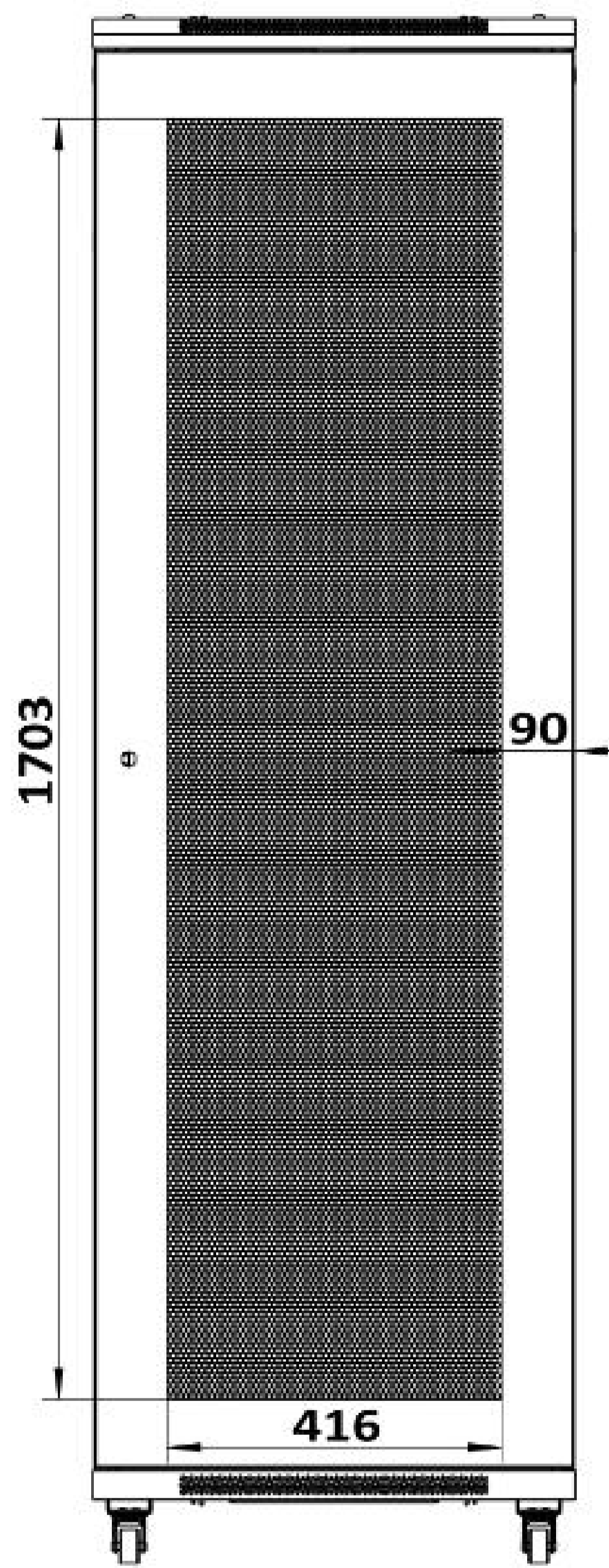
Main dimension(42U 600 x 1000mm)



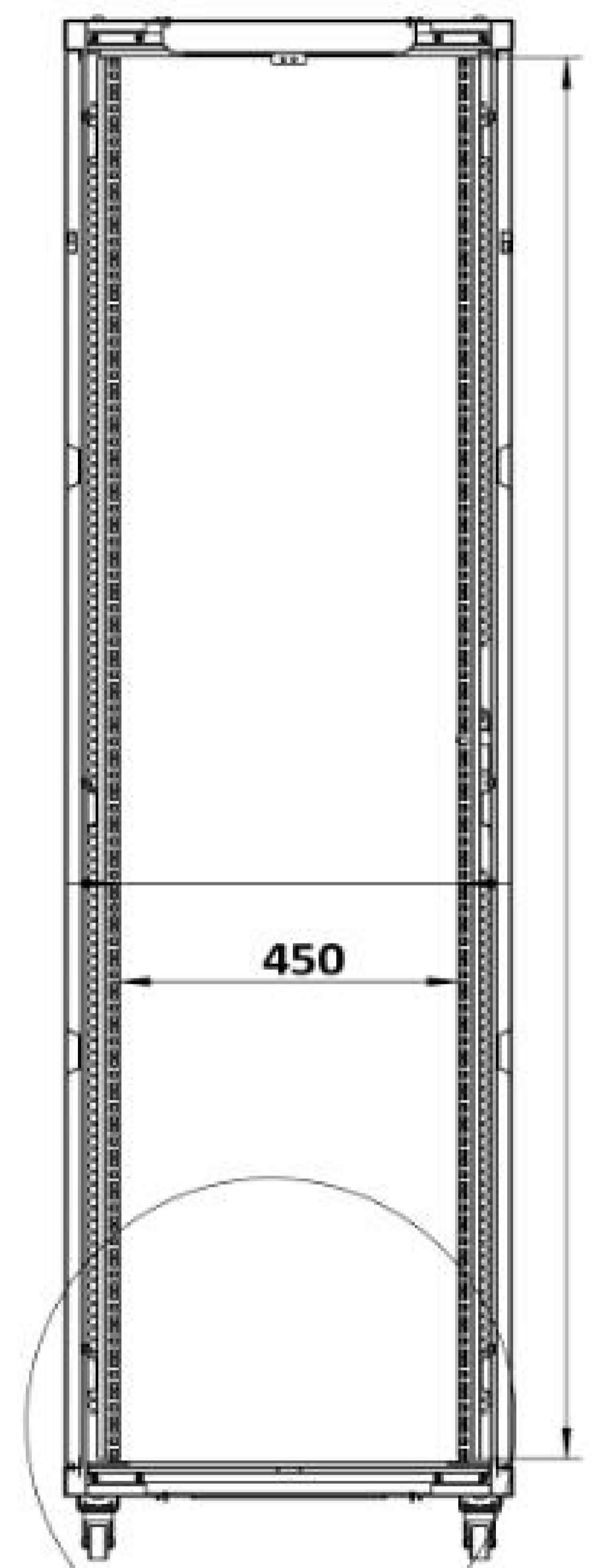
Front (Toughened glass)



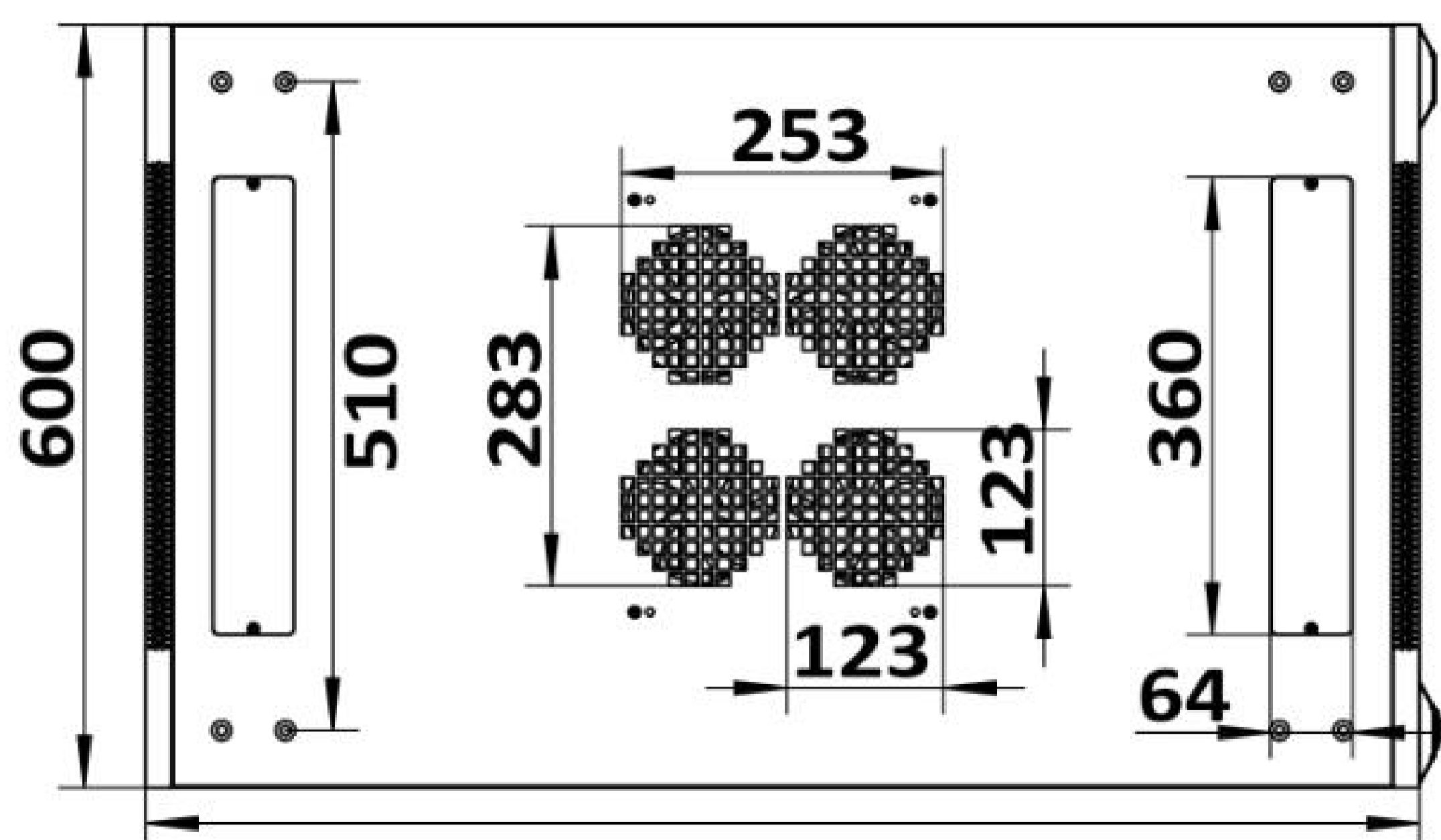
Side



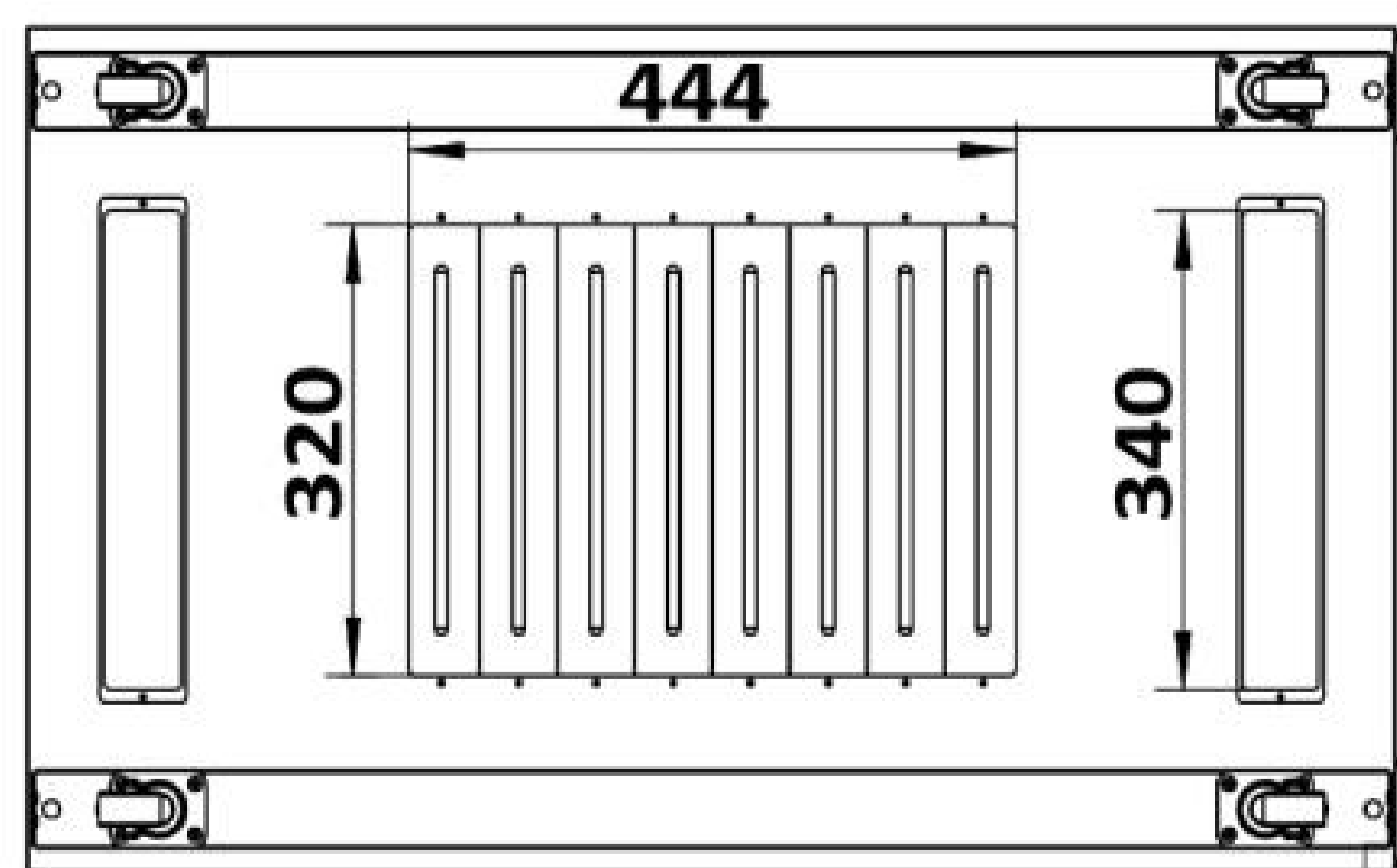
Back



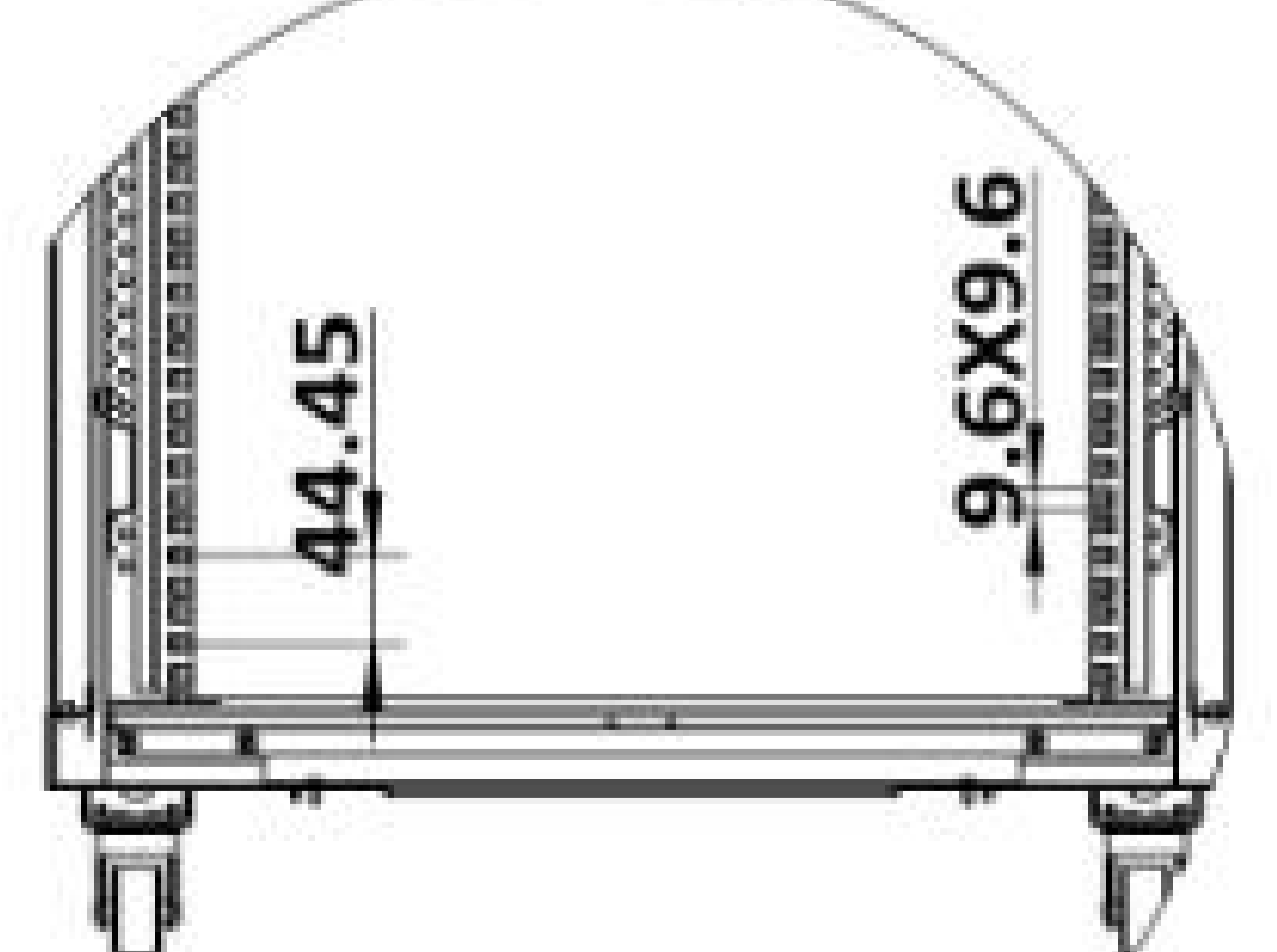
A-Section A



Top



Bottom



# A Series Floor Standing Server Rack (width 600mm)



## Specification

Model No.	Capacity	Width	Depth	Height	Volume	Standard accessories
	(U)	(mm)	(mm)	(mm)	(CBM)	
AS.6618	18	600	600	987	0.131	Fan included, PDU and shelf will be optional
AS.6818			800		0.152	
AS.6018			1000		0.182	
AS.8818		800	800		0.212	
AS.8018			1000		0.240	
AS.6622	22	600	600	1164	0.146	
AS.6822			800		0.169	
AS.6022			1000		0.202	
AS.8822		800	800		0.238	
AS.8022			1000		0.267	
AS.6627	27	600	600	1387	0.166	
AS.6827			800		0.189	
AS.6027			1000		0.227	
AS.8827		800	800		0.268	
AS.8027			1000		0.299	
AS.6632	32	600	600	1609	0.186	
AS.6832			800		0.211	
AS.6032			1000		0.252	
AS.8832		800	800		0.301	
AS.8032			1000		0.333	
AS.6637	37	600	600	1832	0.229	
AS.6837			800		0.265	
AS.6037			1000		0.315	
AS.8837		800	800		0.364	
AS.8037			1000		0.405	
AS.6642	42	600	600	2054	0.248	
AS.6842			800		0.285	
AS.6042			1000		0.339	
AS.8842		800	800		0.394	
AS.8042			1000		0.437	
AS.6647	47	600	600	2276	0.291	
AS.6847			800		0.339	
AS.6047			1000		0.402	
AS.8847		800	800		0.457	
AS.8047			1000		0.509	

# A Series Floor Standing Server Rack (width 600mm)



## Main Parts

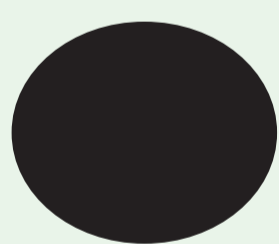

S/N	Specification	Quantity	Unit	Material	Surface Finish	Remark
1	Frame	2	Piece	SPCC cold rolled steel t1.0	Powder coated	
2	Side panel	2	Piece	SPCC cold rolled steel t1.0	Powder coated	
3	Top cover	1	Piece	SPCC cold rolled steel t1.2	Powder coated	
4	Bottom panel	1	Piece	SPCC cold rolled steel t1.2	Powder coated	
5	Mounting profile	4	Piece	SPCC cold rolled steel t2.0	Zinc plated	
6	Mounting rail	4/6	Piece	SPCC cold rolled steel t1.2	Powder coated	
7	Front door	1	Piece	5MM toughened glass door/SPCC t1.2	Powder coated	
8	Back door	1	Piece	Single open mesh vented door t1.2	Powder coated	
9	Castors	4	Piece	2pcs with brake		
10	Leveling feet	4	Piece			
11	Lock	2	Piece	Front handle lock, rear round lock		with 2 keys
12	M6 Square nut	30	Piece	Stainless Steel	Color Zinc	
13	M6 B-head screw	30	Piece	Stainless Steel	Color Zinc	
14	Allen wrench	1	Piece	Stainless Steel	Color Zinc	

## Definition of door

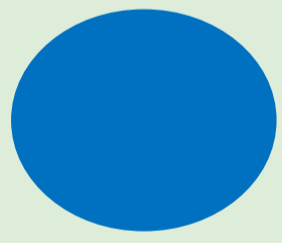
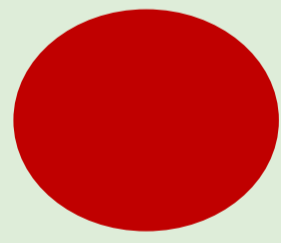
Model No.	Front door	Rear door
AS	Toughened glass door with round vented border(Handle Lock)	Mesh vented door(small round lock)
A2	Toughened glass door (small round lock)	Solid metal door(small round lock)
A3	Mesh vented door	Mesh vented door(small round lock)

Remark: If choose split rear door will use handle lock

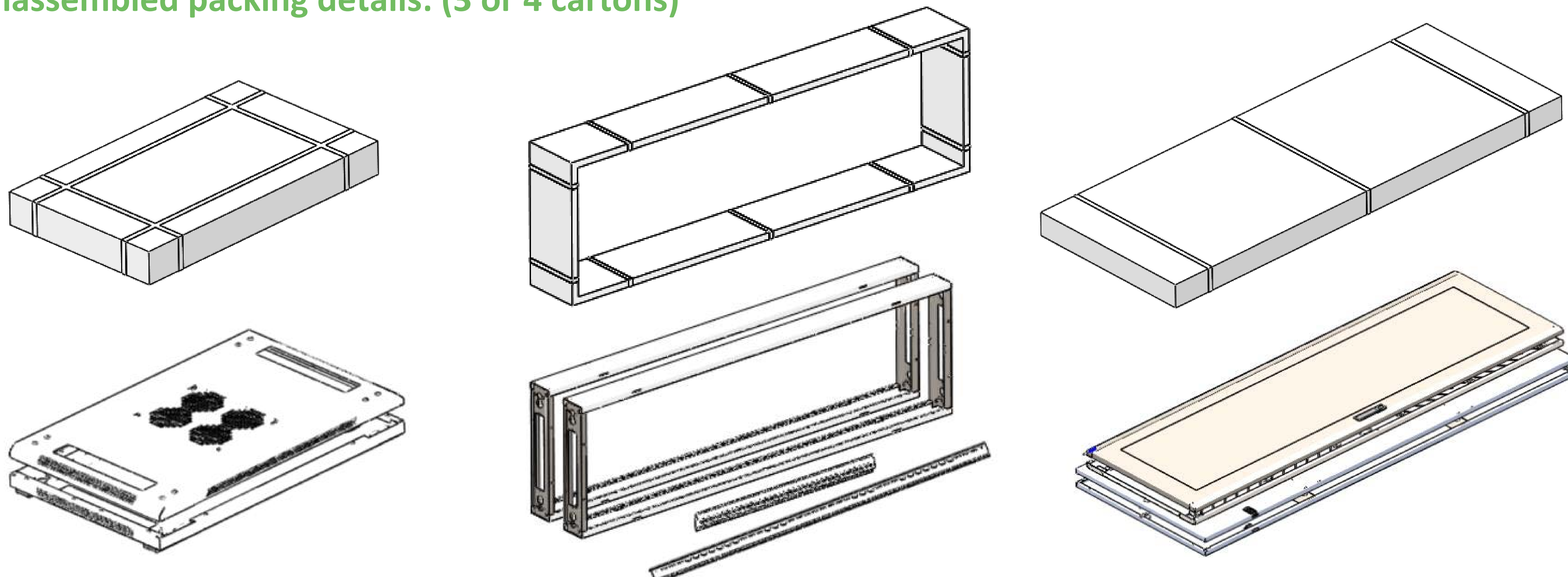
## Color

RAL9004	RAL7035
black	grey
	

## Definition of Ornament strip color for toughened glass door

Blue	Red
	

## Unassembled packing details: (3 or 4 cartons)



Carton 1: Top cover + Bottom cover

Carton 2: Cabinet frame + Mounting profile

Carton 3: Doors (only for 32U & up)\* or Doors+side panels (for 18 to 27U)

Carton 4: Side panels (only for 32U & up)\* - **carton 4 drawing is not included**