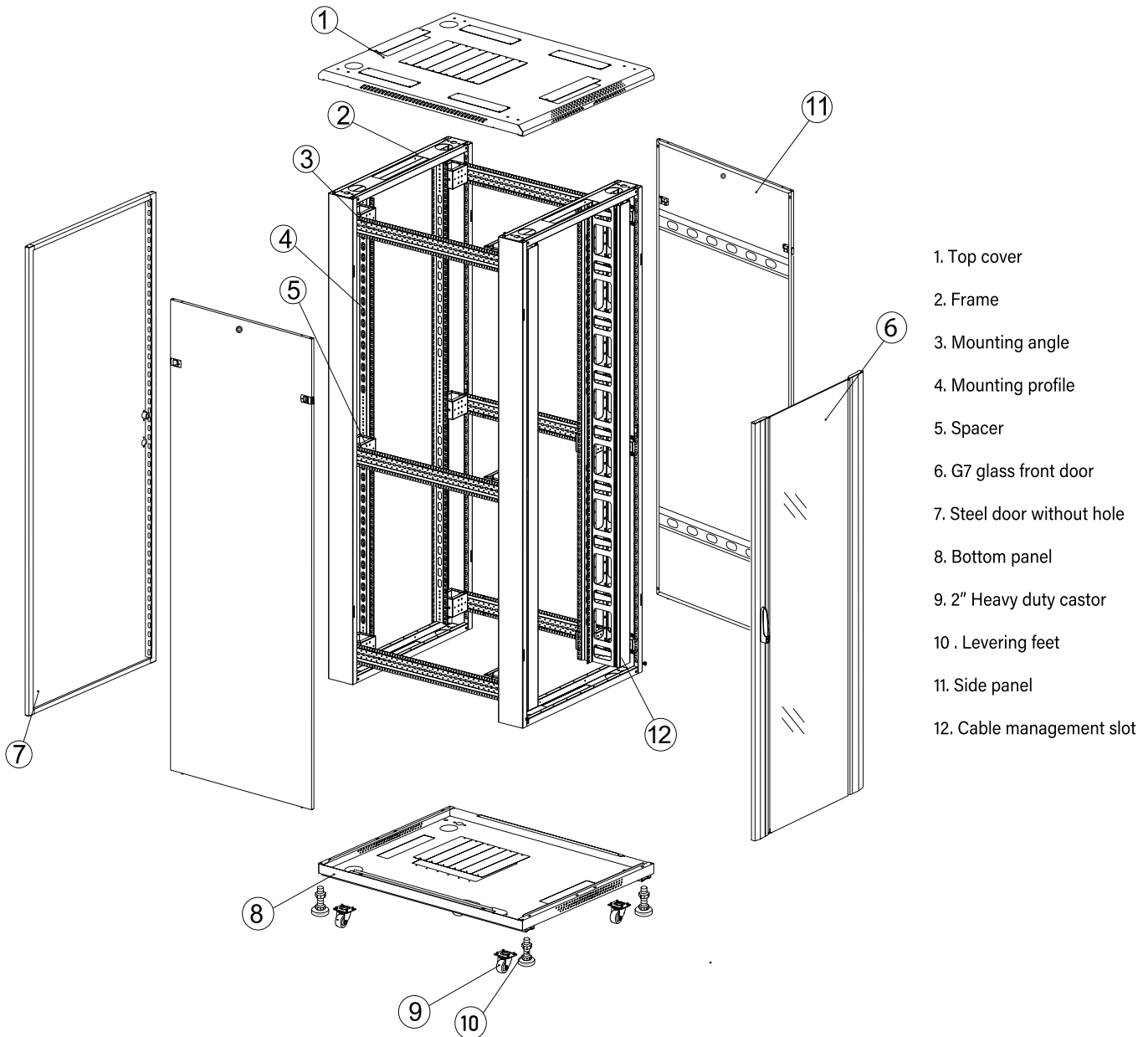


Xcab S 22U-47U 800 mm width, 800/1000/1200 mm depth



*\*Shelves not included*

Xcab S 22U-47U 800 mm width, 800/1000/1200 mm depth



- Modular fan modules, single inventory to meet all type of cabinets to save your inventory cost.
- Coated aluminum zinc material, when the equipment is installed automatically equipotential.
- Cable entrance holes on two sides to make your wires in-and-out more convenient, and meet your requirements of strong and weak electricity cable arrangement.
- The main parts have pre-grounding stud, stud with protective cover.
- Front and rear door can be opened from left and right.
- Castors and adjustable feet can be used at the same time.
- A full range of optional accessories.

Xcab S 22U-47U 800 mm width, 800/1000/1200 mm depth

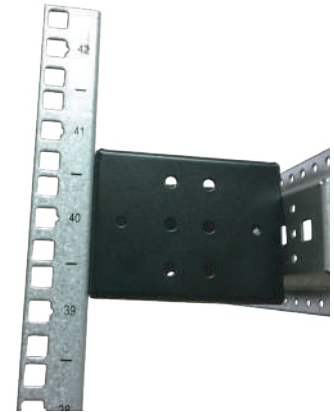
Elegant lock



Cabinet doors with cushion



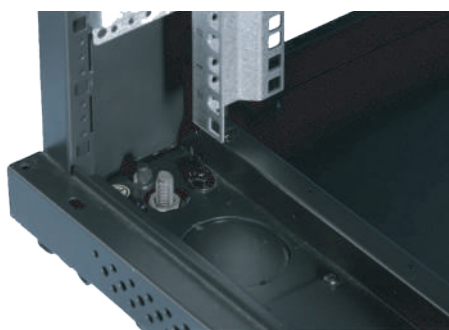
Spacer assembly



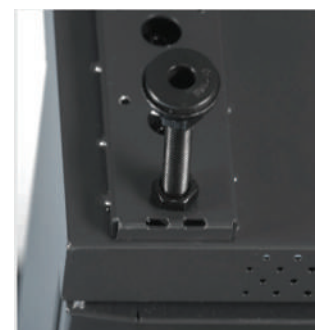
Inside view after fan module installation



Bottom cover of cabinet can be ground



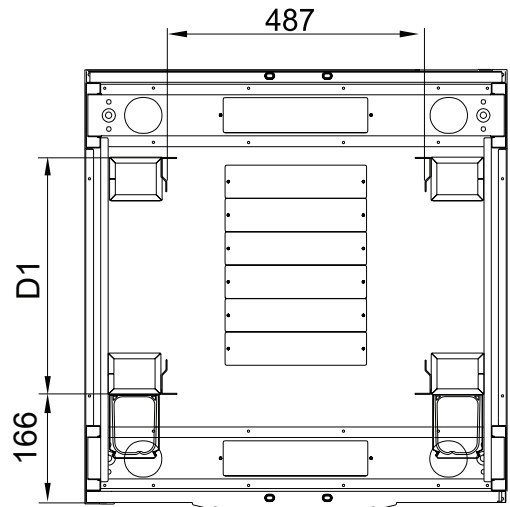
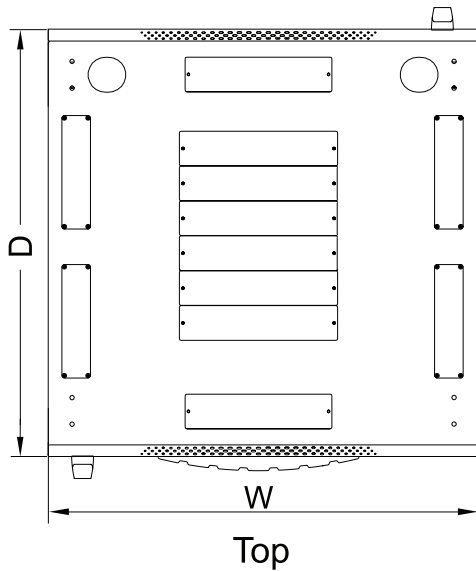
M12 feet installation



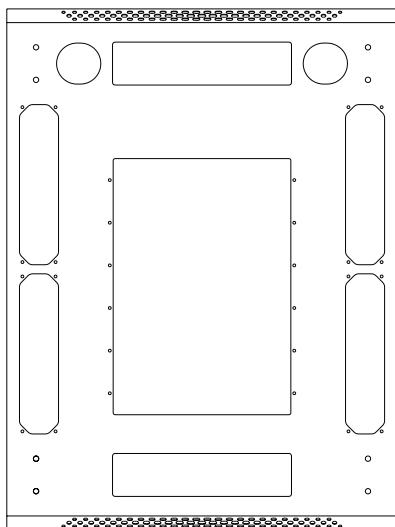
Xcab S 22U-47U 800 mm width, 800/1000/1200 mm depth

**The cable entry at bottom**

- The cable entries are closed separately;
- Meet strong and weak wire's separated request;
- Reach 1 000pcs Cat6 cable's entry;
- Round the corner, can protect cable;



**The cable entry and fan units on top:**

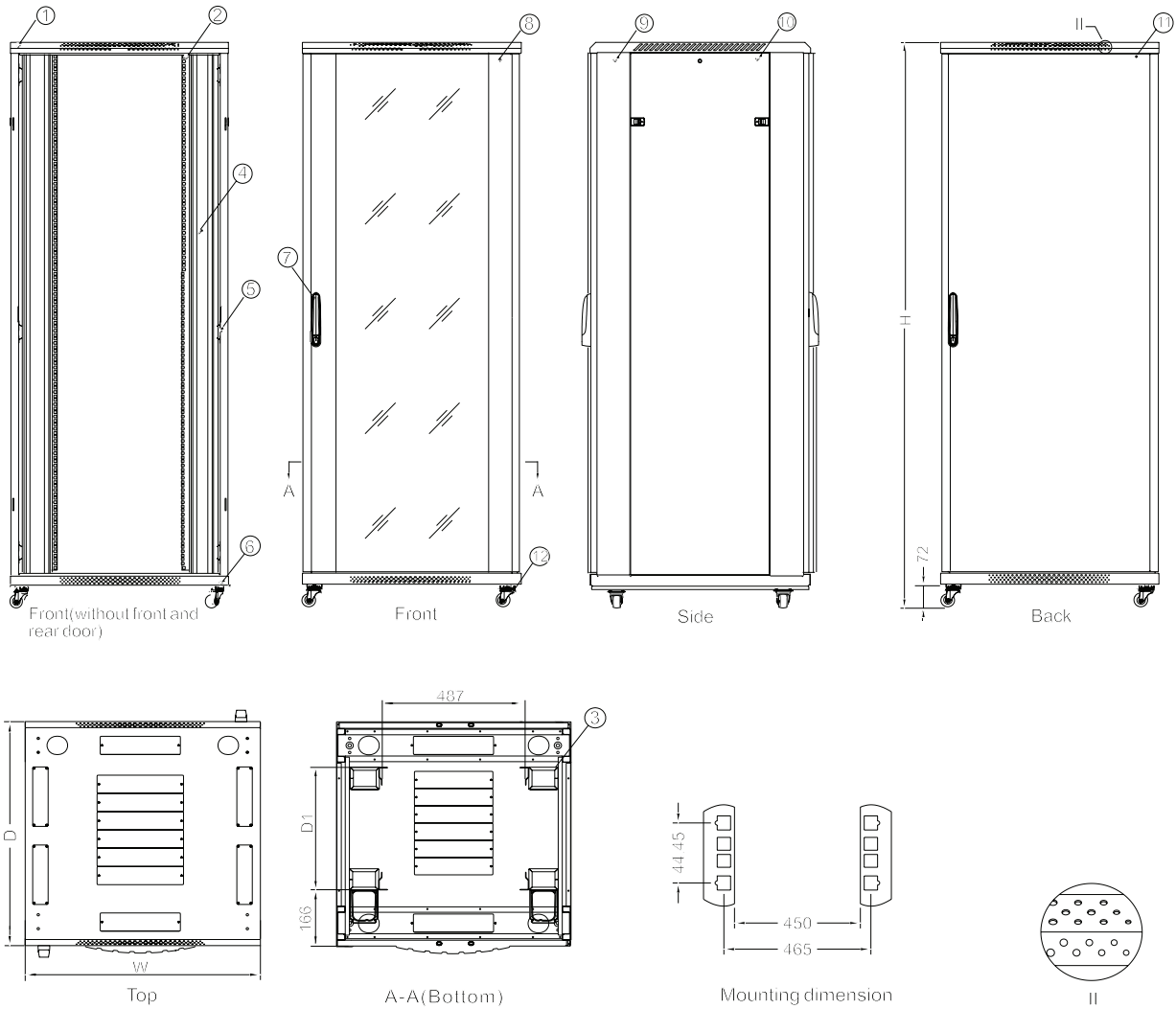


The view of the holes on top



Fan units for top cover  
(up to six pieces)

Xcab S 22U-47U 800 mm width, 800/1000/1200 mm depth



S/N	Specification	Quantity	Unit	Material	Surface Finish	Remark
1	Top cover	1	Piece	SPCC cold rolled steel t1.2	Powder coated	---
2	Mounting profile	4	Piece	Fingerprint-resistant aluminum deposited zinc plate t2.0	Material	---
3	Spacer	12	Piece	SPCC cold rolled steel t1.5	Powder coated	8pcs for lower 32U
4	Cable management slot	2	Piece	SPCC cold rolled steel t0.8/ Plastic	Powder coated	---
5	Mounting angle	6	Piece	Fingerprint-resistant aluminum deposited zinc plate t1.5	Material	4pcs for lower 32U
6	Bottom panel	1	Piece	SPCC cold rolled steel t1.2	Powder coated	---
7	Luxury lock	2	Piece	---	Black	---
8	Front door	1	Piece	5mm Toughened glass/SPCC t1.2	Powder coated	---
9	Frame	2	Piece	SPCC cold rolled steel t1.2	Powder coated	---
10	Side panel	2	Piece	SPCC cold rolled steel t1.2	Powder coated	---
11	Rear door	1	Piece	SPCC cold rolled steel t1.2	Powder coated	---
12	2" heavy duty castor*	4	Piece	---	---	---

\*Castors and adjustable feet can be used at the same time

Xcab S 22U-47U 800 mm width, 800/1000/1200 mm depth

Model No.	Capacity ( U )	Width (mm)	Depth (mm)	D1 (mm)	Height (mm)	Packing Dimension	Volume (M <sup>3</sup> )
22U8080S	22	800	800	561	1166	870*900*1196	1.9360
22U8090S			900	661		870*1000*1196	1.0405
22U80100S			1000	736		870*1100*1196	1.1445
27U8080S	27	800	800	561	1388	870*900*1418	1.1103
27U8090S			900	661		870*1000*1418	1.2336
27U80100S			1000	736		870*1100*1418	1.3570
32U8080S	32	800	800	561	1610	870*900*1640	1.2841
32U8090S			900	661		870*1000*1640	1.4268
32U80100S			1000	736		870*1100*1640	1.5695
37U8080S	37	800	800	561	1833	870*900*1863	1.4587
37U8090S			900	661		870*1000*1863	1.6208
37U80100S			1000	736		870*1100*1863	1.7829
37U80120S			1200	736		870*1300*1863	2.1070
42U8080S	42	800	800	561	2055	870*900*2085	1.6325
42U8090S			900	661		870*1000*2085	1.8139
42U80100S			1000	736		870*1100*2085	1.9953
42U80110S			1100	736		870*1200*2085	2.1767
42U80120S			1200	736		870*1300*2085	2.3581
47U8080S	47	800	800	561	2277	870*900*2307	1.8044
47U8090S			900	661		870*1000*2307	2.0070
47U80100S			1000	736		870*1100*2307	2.2078
47U80110S			1100	736		870*1200*2307	2.4085
47U80120S			1200	736		870*1300*2307	2.6092

**Surface finish:**

- Degreasing, Vitrification, Power coated;

**Degree of protection:**

- IP20.

**Loading capacity:**

- Static loading: 800KG (with ajustable feet)