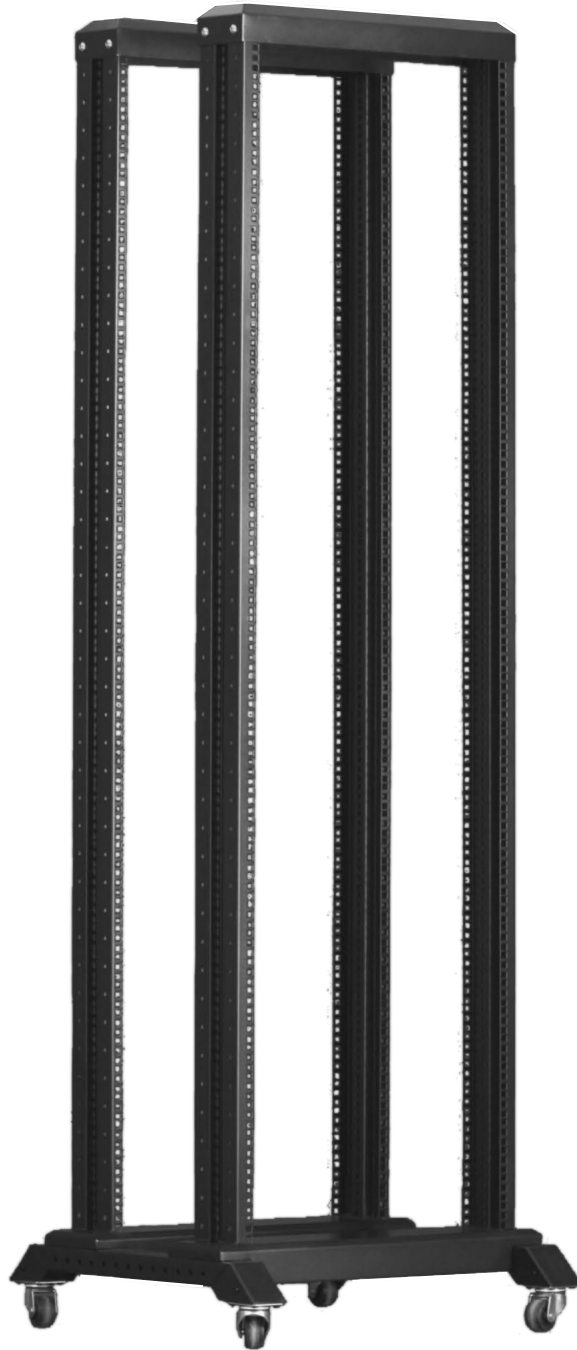


Xcab DR 18U-47U, 19'' width, 600 mm depth



Standard:

- Comply with ANSI/EIA RS-310-D, IEC297-2, DIN41494, PART1, DIN41494, PART7 standard.

Surface finish:

- Degreasing, phosphoric, powder coated.

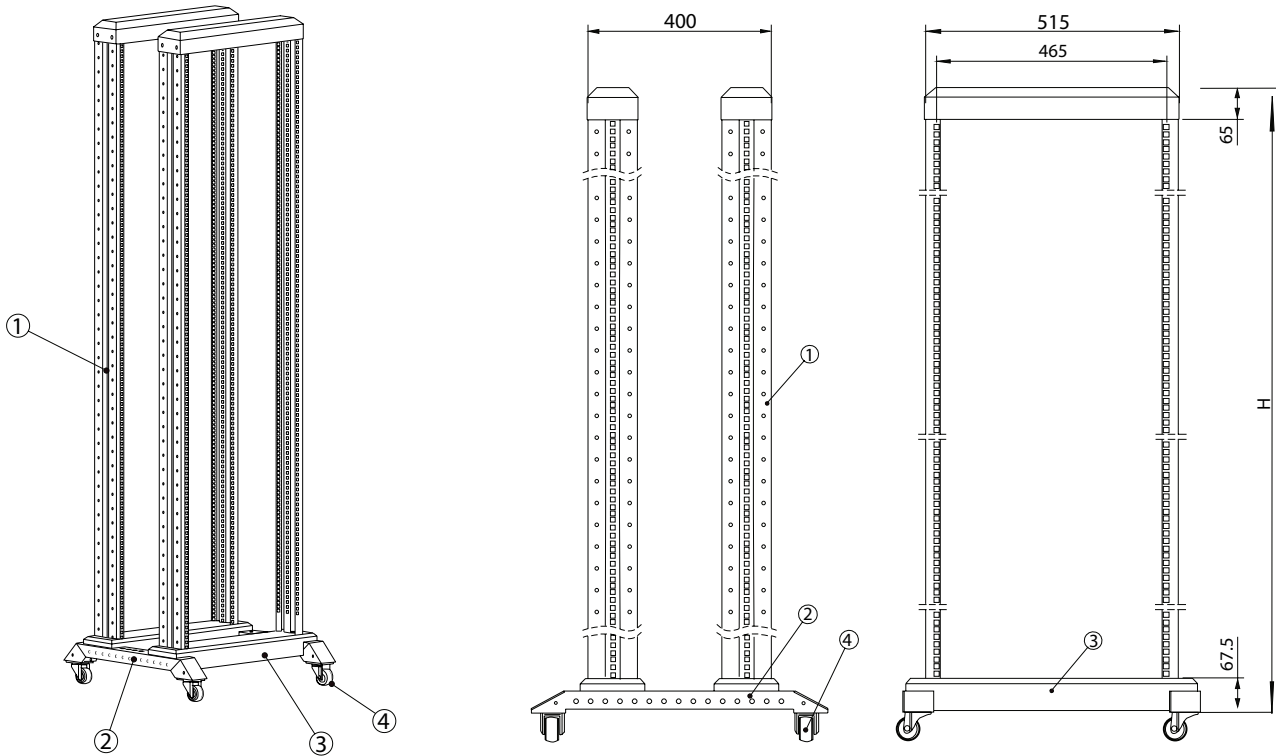
Loading Capacity:

- Static loading: 150KG.

Material:

- SPCC cold rolled steel,
- Thickness: Plinth and front beams:1.2mm; Bottom beams and pole 1.5mm.

Xcab DR 18U-47U, 19'' width, 600 mm depth



S/N	Specification	Quantity	Unit	Material	Surface Finish	Remark
1	Pole	2	Piece	SPCC cold rolled steel t1.2	Powder coated	---
2	Plinth	2	Piece	SPCC cold rolled steel t1.5	Powder coated	---
3	Horizontal beam	2	Piece	SPCC cold rolled steel t1.5	Powder coated	---
4	2" heavy duty castor	4	Piece	---	---	---
5	Square screw & nut	10	Set	Steel	Color Zinc	---
6	Allen wrench	1	Piece	Steel	Black	---

Model No.	Capacity (U)	Width (mm)	Depth (mm)	Height (mm)	Dimension	Volume (CBM)
Xcab-18U600DR	18	600	600	936	630*310*1000	0.1953
Xcab-22U600DR	22	600	600	1113.8	630*310*1180	0.2305
Xcab-27U600DR	27	600	600	1336	630*310*1410	0.2734
Xcab-32U600DR	32	600	600	1558.1	630*310*1630	0.3183
Xcab-37U600DR	37	600	600	1780.5	630*310*1850	0.3613
Xcab-42U600DR	42	600	600	2002.8	630*310*2070	0.4043
Xcab-47U600DR	47	600	600	2225	630*310*2290	0.4472